



# WINCH

## WIRELESS REMOTE CONTROL



MODEL NUMBER

KFI-WRC

SAVE THESE INSTRUCTIONS  
Important Safety Instructions  
are included in this manual.

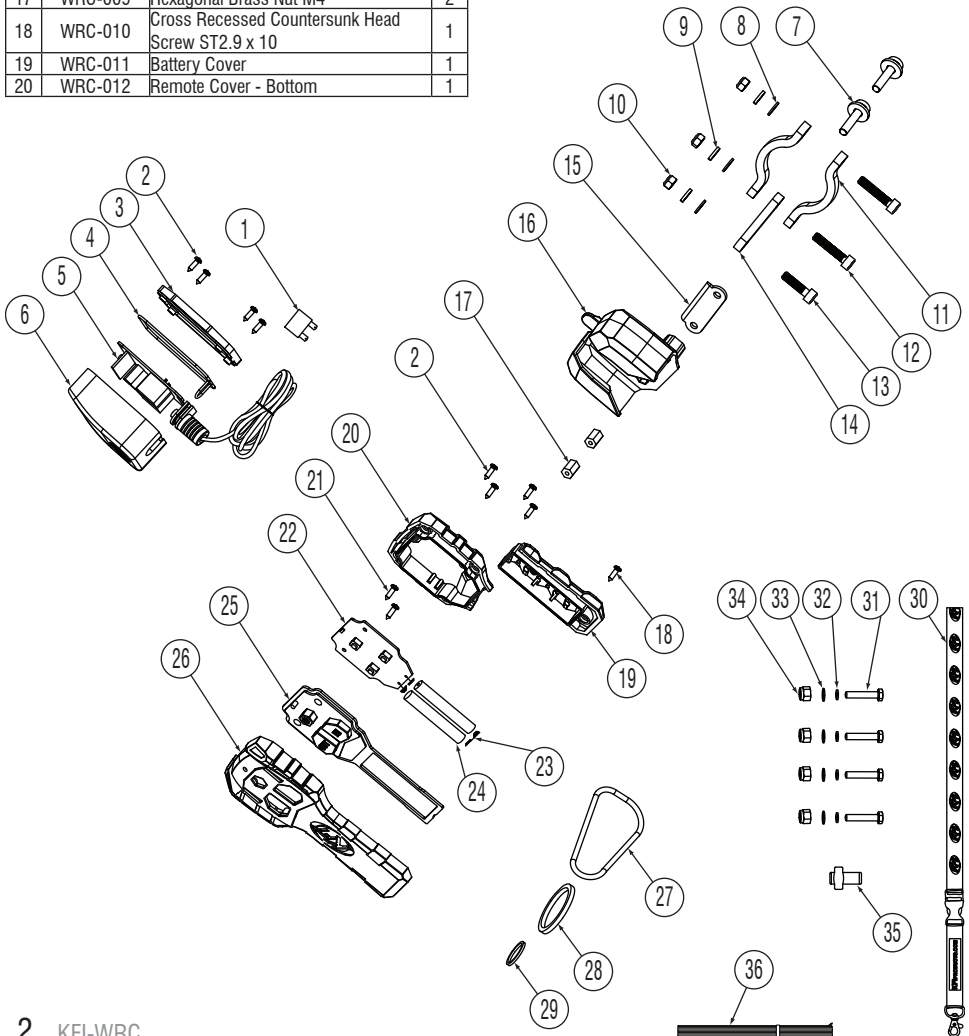
721 Sata Drive  
Spring Valley, MN 55975  
USA /1-877-346-2050  
[www.kfiproducts.com](http://www.kfiproducts.com)

# PARTS LIST

ENGLISH KFI-WRC

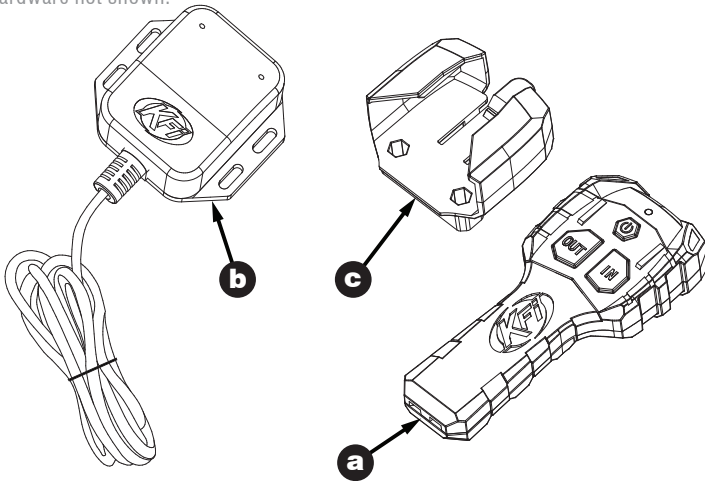
No.	Part#	Description	Qty
1	WRC-001	Fuse socket 7.5A	1
2	WRC-002	Cross Recessed Countersunk Head Screw ST2.9 x 12	8
3	WRC-003	Receiver Cover - Bottom	1
4	WRC-004	Seal Ring	1
5	WRC-005	Receiver Circuit Board	1
6	WRC-006	Receiver Cover - Top	1
7	WRC-007	Cross Groove Pan Head Combination Screw M4 x 16mm	2
8	250049	Flat Washer Ø5	3
9	250050	Lock Washer Ø5	3
10	250052	Lock Nut M5	3
11	250045	Handlebar Switch Clamp	2
12	250048	Hexagon Socket Cap Screws M5 x 25	2
13	250051	Hexagon Socket Cap Screws M5 x 18	1
14	250046	Handlebar Switch Extender	1
15	250047	Handlebar Switch Mounting Angle	1
16	WRC-008	Cradle	1
17	WRC-009	Hexagonal Brass Nut M4	2
18	WRC-010	Cross Recessed Countersunk Head Screw ST2.9 x 10	1
19	WRC-011	Battery Cover	1
20	WRC-012	Remote Cover - Bottom	1

No.	Part#	Description	Qty
21	WRC-013	Cross Recessed Countersunk Head Screw ST2.9 x 8	2
22	WRC-014	Remote Circuit Board	1
23	WRC-015	Battery Positive and Negative Plate	1
24	WRC-016	Battery AAA	2
25	WRC-017	Remote Silicone Keypad	1
26	WRC-018	Remote Cover - Top	1
27	WRC-019	Carabiner	1
28	WRC-020	Clip Ø20	1
29	WRC-021	Clip Ø10	1
30	ATV-NK-LAN	KFI Neck Lanyard	1
31	WRC-022	Hexagon Head Bolt M4 x 20	4
32	WRC-023	Spring Washer Ø4	4
33	WRC-024	Flat Washer Ø4	4
34	WRC-025	Lock Nut M4	4
35	250062	Wire Tap	1
36	WRC-026	Zip Ties	12



## Winch Wireless Remote Kit

\*Mounting hardware not shown.



(a) **Wireless Remote Control** – Used to power the rope in or out of your winch drum.

(b) **Antenna** – Receives wireless signal from wireless remote control up to a 75 ft. or more depending on obstructions and terrain.

(c) **Handle Bar/Surface Docking Cradle** - Stores the wireless remote control while not in use.

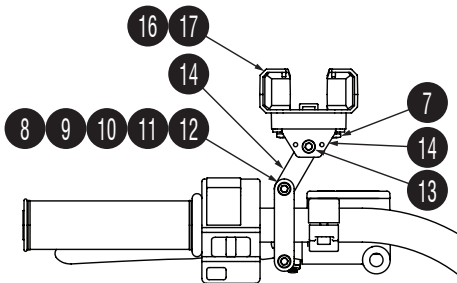
## ASSEMBLY

### Step 1 - Install Wireless Cradle

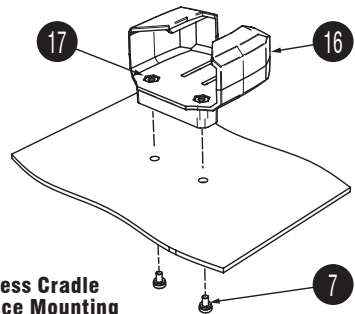
- 1.1) The cradle can be installed to a handlebar position or surface mounted. See figure below for handle bar mount example.
- 1.2) When installing to a handle bar position, use a piece of electrical tape around the

handlebar to help prevent rotation of the mount. Do NOT tighten over any hoses or cables.

- 1.3) See figure below for surface mounting example. Using the cradle as a guide, mark and drill (2) 3/16" (.188") diameter holes on a suitable surface. Fasten using included #6-32 Panhead screws.

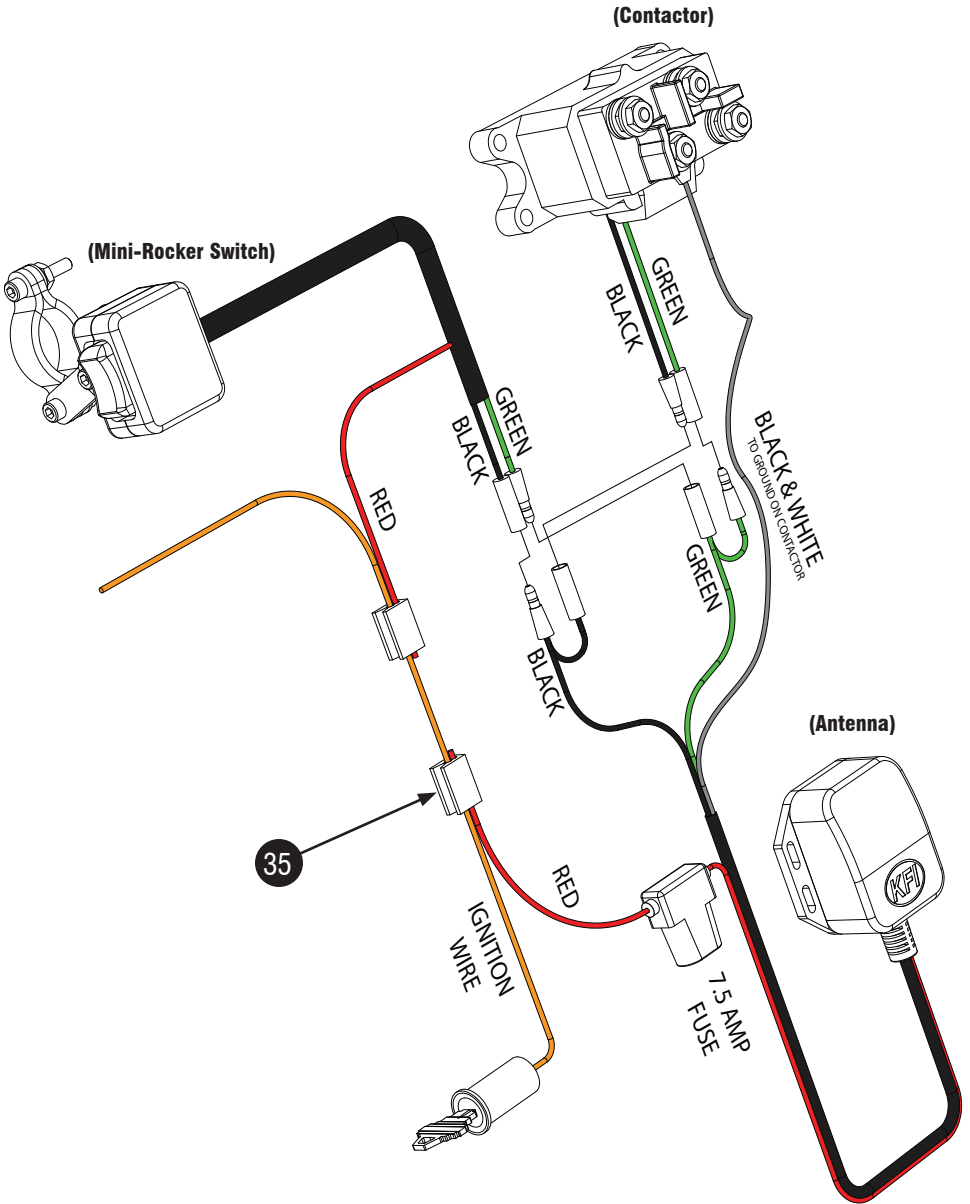


**Wireless Cradle  
Handle Bar Mount**



**Wireless Cradle  
Surface Mounting**

**Antenna Wiring Diagram**



## Step 2 - Install the Antenna

- 2.1) Determine the mounting location.
- 2.2) If mounting on a flat surface, mark and drill a minimum of two (2) mounting holes, one on each side of the antenna. Loosely attach the antenna using the supplied bolts and lock nuts (**#31** thru **#34**) Do NOT tighten fasteners at this time.
- 2.3) If mounting on a frame tube, loosely attach using the supplied zip ties (**#36**).
- 2.4) Locate the black and green wires running from the Contactor to the Mini-Rocker Switch. Find the bullet connectors on these wires located near the contactor.
- 2.5) Plan a route for the wire harness between the antenna and these bullet connectors.
- 2.6) Pull apart the bullet connectors on the BLACK and GREEN wires running between the Mini-Rocker Switch and the Contactor.
- 2.7) Connect the Mini-Rocker Switch and Contactor to the Antenna (black to black, and green to green).
- 2.8) Connect the black & white ground wire with the ring terminal to the black Neg (-) terminal on the Contactor.
- 2.9) Splice the red wire with 7.5A fuse to an ignition fed power source (normally the same as an existing Mini-Rocker Switch). Use included wire tap (**#35**) quick crimp connector.

Note: Choose a wire where power is ONLY supplied when key is turned on! Use a multimeter or light tester to confirm source is ignition fed.

## Step 3 - Test Winch Operation

- 3.1) Make sure there are no exposed terminals or wiring, and wiring to all components is correct. Secure loose wires. Tighten mounting bolts.
- 3.2) Turn ATV ignition switch to the ON position.
- 3.3) Check the winch for proper operation using the rocker switch. The wire rope should spool in and out in the direction indicated on the switch.
- 3.4) To test wireless system, turn on the system by pressing and holding the POWER button on the wireless remote for 3 seconds. A red indicator light on the remote turns on when the system is active and ready to use. The winch may now be controlled by the wireless remote.

### NOTE

#### Led Indicator Light

- Steady Red: System active and ready to use.
- Flashing Red: Winch powering in or out.

- 3.5) Verify that the winch spools the rope in and out properly by pressing the buttons on the wireless remote. The wire rope should spool in and out in the direction indicated on the remote.
- 3.6) Deactivate the system by pressing the POWER button on the wireless remote and holding for 3 seconds, until red light turns off or after 2 mins of idle time, the wireless system de-activates.

### WARNING

This kit is designed for use on mounted self-recovery winches only. The remote is not designed for and should not be used on winches or hoists in industrial applications (car haulers/carriers, wrecker, cranes, etc.) or for any other remote controlled applications.

## WARRANTY KFI Products 1 YEAR LIMITED WARRANTY

### Warranty Qualifications

Kappers Fabricating, Inc. (KFI) will register this warranty upon receipt of your Warranty Registration Card and a copy of your sales receipt from one of KFI's retail locations as proof of purchase. Please submit your warranty registration and your proof of purchase within fifteen (15) days of the date of purchase.

### Repair/Replacement Warranty

Kappers Fabricating, Inc. (KFI) warrants to the original purchaser that the mechanical and electrical components will be free from defects in materials and workmanship for a period of one (1) year from the original date of purchase. We will repair or replace, at our discretion, parts found to be defective due to materials or workmanship. This warranty applies only to products which have been properly assembled, adjusted, and operated in accordance with the instructions contained within the product manual. This warranty does not apply to any product of Kappers Fabricating, Inc. that has been subject to alteration, misuse, abuse, improper assembly or installation, or shipping damage.

### Do Not Return The Unit To The Place Of Purchase

In the event you have a claim under this warranty, contact KFI's Technical Service and KFI will troubleshoot any issue via phone or e-mail. If the problem is not corrected by this method, KFI will, at its option, authorize evaluation, repair or replacement of the defective part or component at a KFI Service Center. KFI will provide you with a case number for warranty service. Please keep it for future reference. Repairs or replacements without prior authorization, or at an unauthorized repair facility, will not be covered by this warranty.

### Warranty Exclusions

This warranty does not cover the following repairs and equipment:

**Normal Wear** - This product needs periodic parts and service to perform well. This warranty does not cover repair when normal use has exhausted the life of a part or the equipment as a whole.

**Other Exclusions** - This warranty excludes: Cosmetic defects such as paint, decals, etc. Failures due to acts of God and other force majeure events beyond the manufacturer's control. Problems cause by parts that are not original KFI Products parts.

### Limits of Implied Warranty and Consequential Damage

THIS WARRANTY DOES NOT APPLY TO ANY INCIDENTAL OR CONSEQUENTIAL DAMAGES AND ANY IMPLIED WARRANTIES ARE LIMITED TO THE SAME TIME PERIODS STATED HEREIN FOR ALL EXPRESSED WARRANTIES.

THE WARRANTY SET FORTH ABOVE IS THE ONLY WARRANTY. THERE ARE NO OTHER WARRANTIES, EXPRESS OR IMPLIED, INCLUDING BUT NOT LIMITED TO IMPLIED WARRANTIES OF MERCHANTABILITY OR FITNESS FOR A PARTICULAR PURPOSE.

Some states do not allow the exclusion of implied warranties or the exclusion or limitation of liability for incidental or consequential damages, or limitations on how long an implied warranty lasts, so the above limitation or exclusion may not apply to you. This warranty gives you specific legal rights. You may also have other rights that vary from state to state.

### Contact Information

#### Address

KFI Products  
Customer Service  
721 Sata Drive  
Spring Valley, MN 55975  
[www.kfiproductions.com](http://www.kfiproductions.com)

#### Technical Service

Mon – Thu, 8:00 AM – 5:00 PM (CST)  
Fri, 8:00 AM - 1:00 PM (CST)  
Toll Free: 1-877-346-2050  
[tech@kfiproductions.com](mailto:tech@kfiproductions.com)





**1-877-346-2050**

KFI Products  
P.O. Box 32  
1015 Industrial Drive  
Spring Valley, MN 55975 USA  
[www.kfiproductions.com](http://www.kfiproductions.com)  
Made In China  
©2019 Kappers Fabricating, Inc.