



● Thank you for purchasing our product. Before installing/operating the product, please read the instructions carefully and retain them for future reference.

⚠ Attention!

- For installation, please follow the steps described. Any damage caused by wrong installation shall be imputed to the users.
- To avoid a short circuit from occurring do not pull or modify the wires during installation.
- Do not disassemble or change any parts. Opening and disassembling this unit will void any warranty.
- Maintenance and repairs should be executed by our professionals only.

⊙ Symbol description:

NOTE

⚠ Some procedures must be followed to avoid damages to the instrument.

⚠ WARNING! Certain procedures must be followed to avoid damages to yourself, to the vehicle or others.

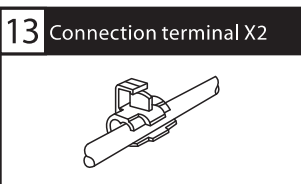
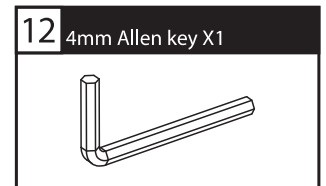
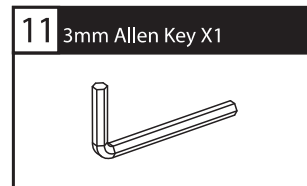
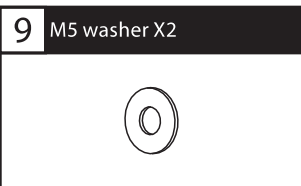
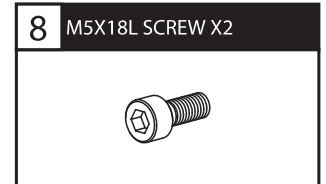
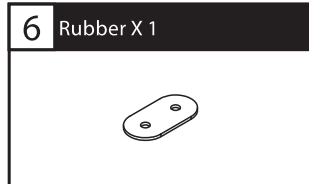
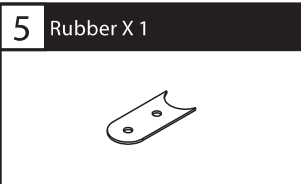
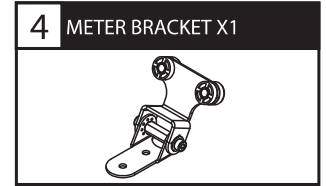
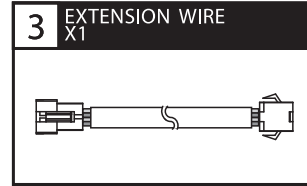
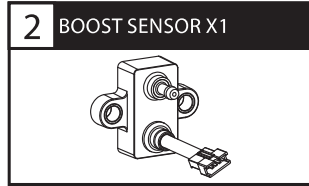
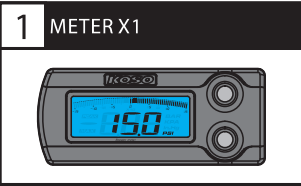


HOLD THE
BUTTON ONE
SECOND

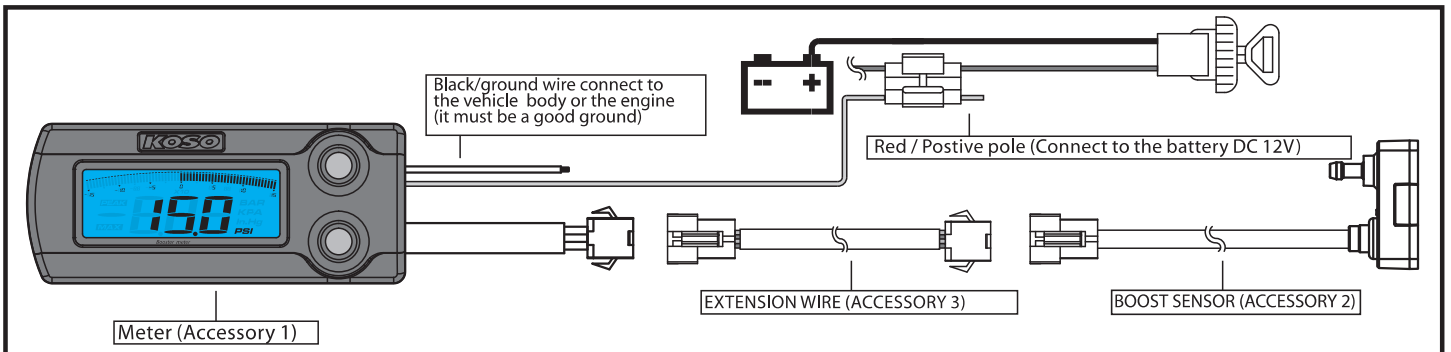


HOLD THE
BUTTON 3
SECONDS

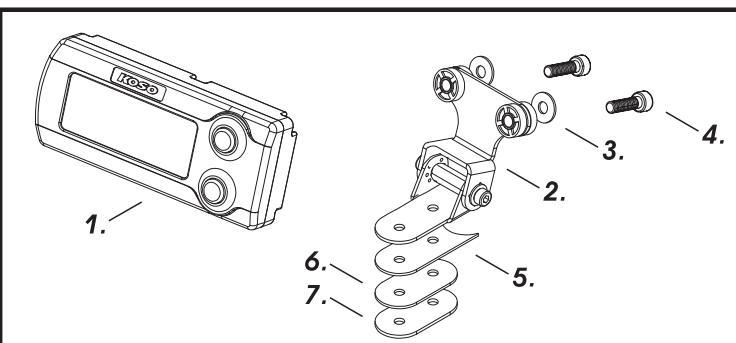
1-1 Accessory



2-1 Wiring installation instructions



2-2 Installation



When installing, please follow the steps below.

1. LCD meter (Accessory 1)
2. METER BRACKET (Accessory 4)
3. M5 gasket X 2 (Accessory 9)
4. M5 X 18L screw X 2 (Accessory 8)
5. Rubber (Accessory 5)
6. Rubber (Accessory 6)
7. Steel gasket(Accessory 7)

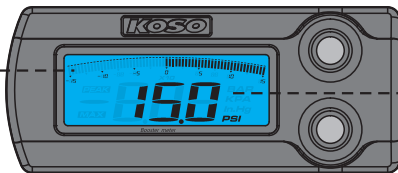
3-1 Description of basic functions

Boost Pressure scale (15PSI)

- Display range: 0~15PSI
- Display unit: 0.5 PSI

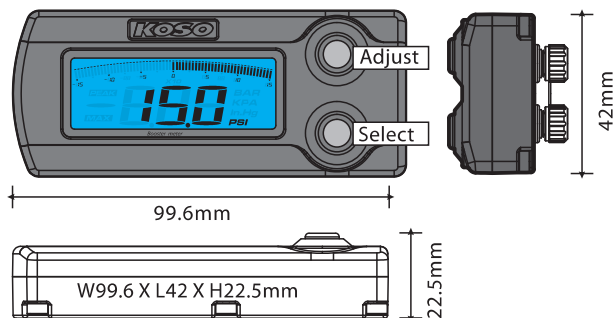
Boost Pressure scale (30PSI)

- Display range: 0~30PSI display range
- Display unit: 1 PSI



- Boost Pressure digital display
- Display range: 0~30PSI, will blink to warn at overrange.
- Display unit: 0.5 PSI

3-2 Description of basic functions



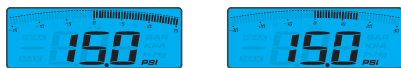
- Boost Pressure digital display
Display range: 0~30PSI, will blink to warn at overrange.
Display unit: 0.5 PSI
- Boost Pressure scale
Display range: 0~15PSI Display unit: 0.5 PSI
Display range: 0~30PSI Display unit: 1 PSI
- Power required AC/DC 12V
- Unit body using temperature range -10~+60°C
- Unit body specification JIS D 0203 (S2)
- Unit body dimension W99.6 X L42 X H22.5mm
- Unit body weight 85g approximately

NOTE Design and specifications are subject to change without notice!

4-1 Adjust button



- In the boost screen, press the Adjust button once to enter in the Highest Positive Pressure screen.
- Press & hold the Adjust button for 3 seconds or the Select button for 3 seconds to switch over the stepwise display and the pressure display range.



- In the Highest Positive Pressure screen, press the Adjust button once to return the boost screen.

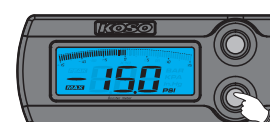


- Boost screen.

4-2 Select button



- In the boost screen, press the Select button once to enter in the Highest Negative Pressure screen.

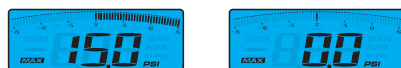
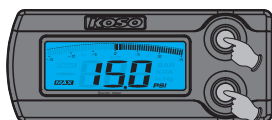


- In the boost screen, press the Select button once to enter in the Highest Negative Pressure screen.



- Boost screen

4-3 Adjust & Select buttons hold 3 seconds for switchover



- In the Highest Pressure screen, press and hold the Adjust and the Select buttons for 3 seconds to clear the highest pressure record.

5 Trouble shooting

The following situations do not necessarily indicate malfunction of the product. Check the following points, before contacting us.

Trouble	Check item	Trouble	Check item
The meter doesn't work when the power is on.	<ul style="list-style-type: none"> •The power isn't supplied to the meter. →Make sure the wiring is connected. The wiring and fuse are not broken. 	No display.	<ul style="list-style-type: none"> •Check if the pressure sensor is disconnected or disengaged.

※If the problems still can't be solved, please contact our technical department for assistance.