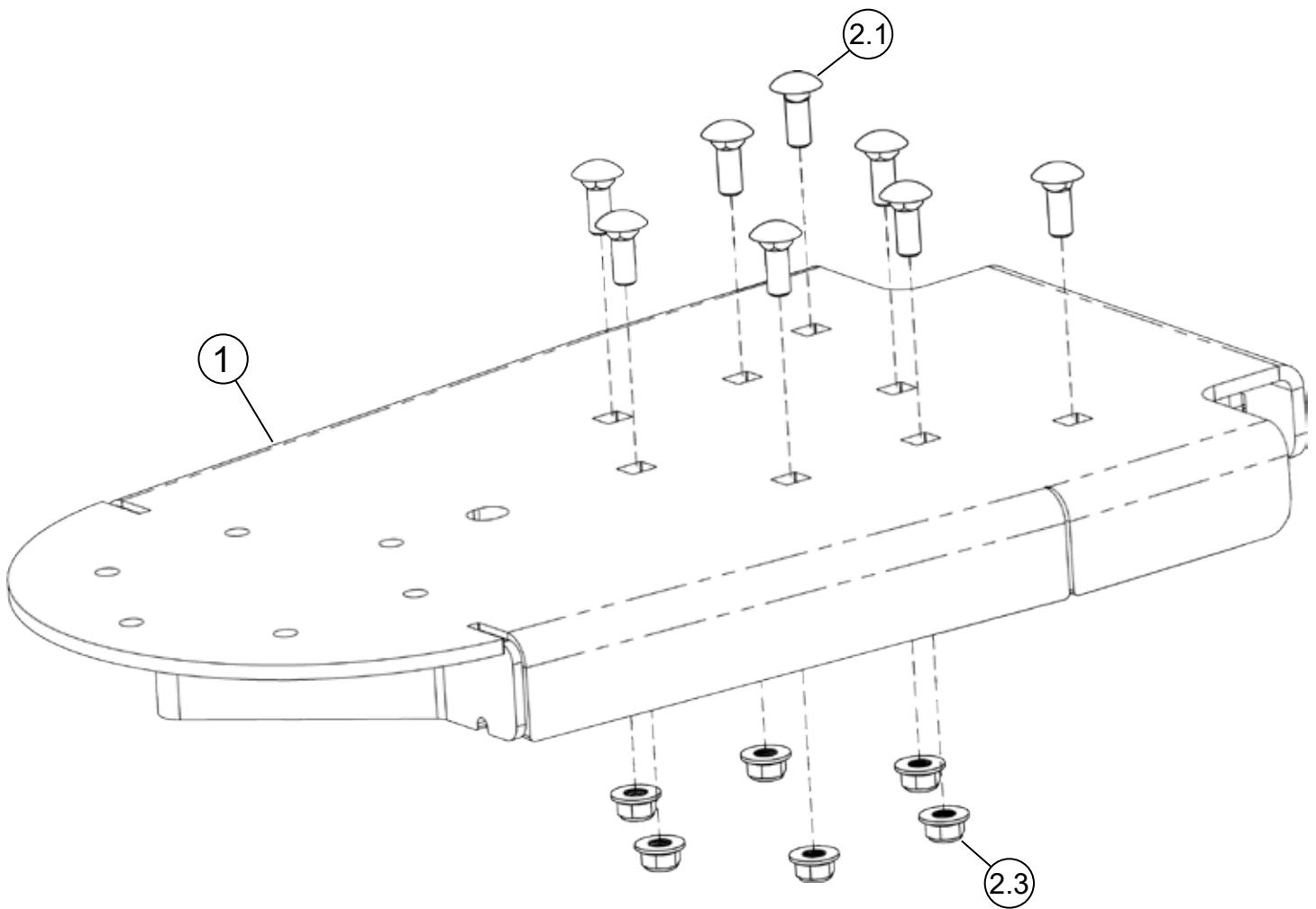


# UTV Plow Track Extension

Plow Accessory

PART #106330

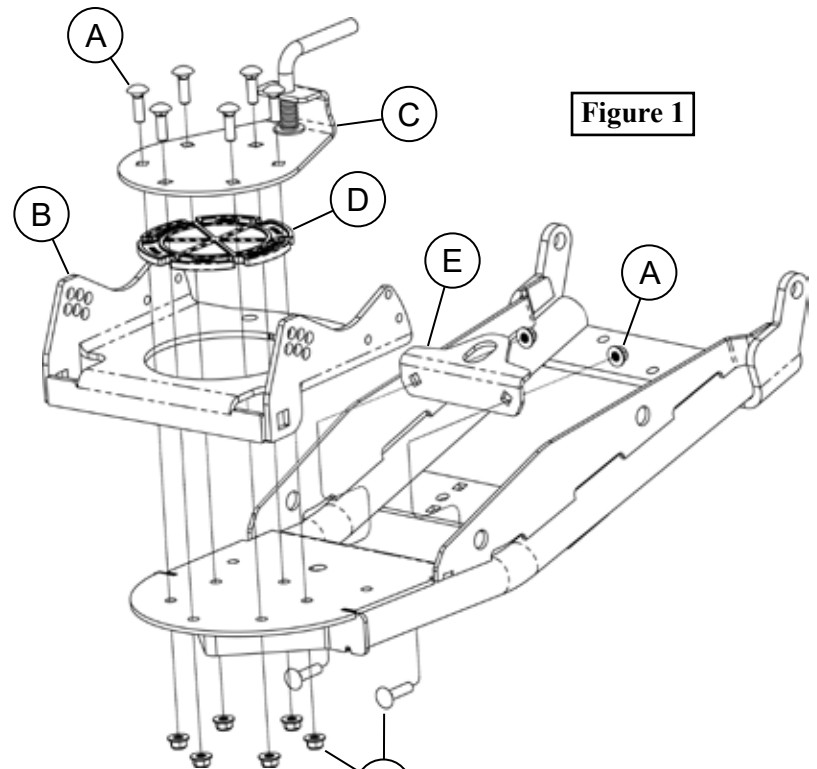
Kit Components:		
Item #	Qty.	Description
1	1	Push Tube Track Extension
2	1	Hardware Kit (HK-393)
2.1	8	3/8"-16 x 1.00 Carriage Bolt
2.2	1	3/8"-16 x 1.50 Carriage Bolt (not used)
2.3	8	3/8"-16 Hex Flange Nylock Nut



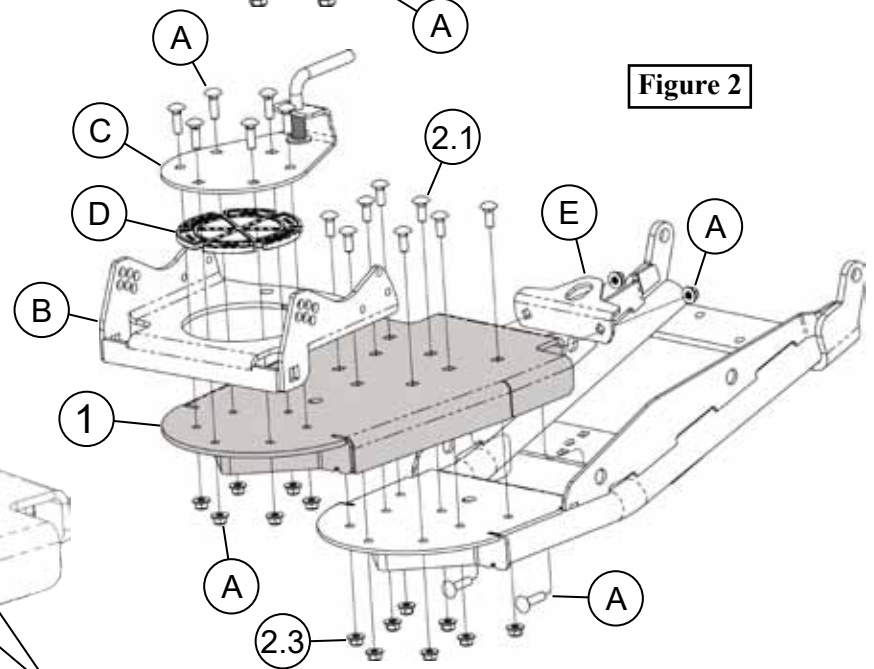
# INSTALLATION INSTRUCTIONS

**Note:** Make sure all hardware needed to complete this mount is in the package. Thoroughly read through and understand the instructions before installing.

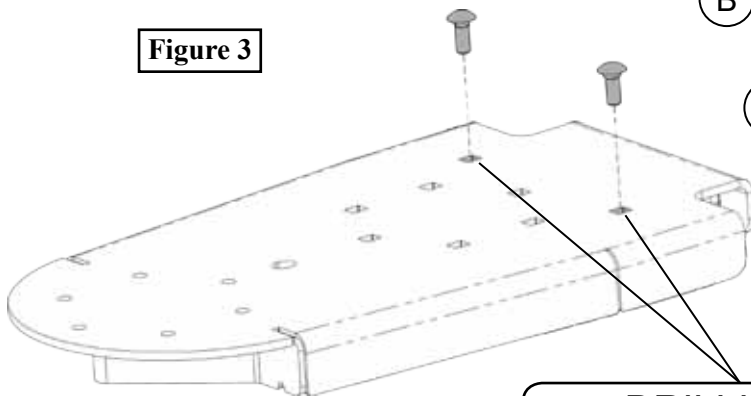
1. Unbolt hardware (A) and remove cradle (B), Lift latch assembly (C), pivot bushing (D), cable hook bracket (E) shown in **Figure 1**.
2. Reinstall pivot bushing (D), lift latch assembly (C), cradle (B), and cable hook bracket (E) using hardware (A) removed in step 1 onto UTV Track Extension (1) as shown in **Figure 2**.
3. Install UTV Track Extension (1) onto push tubes using bolts (2.1) and nuts (2.3) as shown in **Figure 2**. **NOTE:** If the push tube does not have rear holes, drilling is required. See **Drilling Note Below**
4. Tighten all hardware evenly.



**Figure 1**

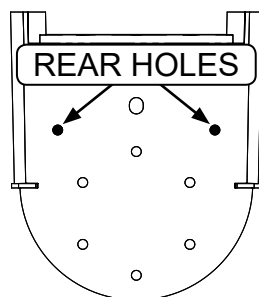


**Figure 2**



**Figure 3**

## DRILLING NOTE



If push tube does not have rear holes, drilling is required. Bolt ITEM 1 to the push tube as shown in **Figure 3**. Using ITEM 1 as a template, drill 2 holes through the push tube using a 13/32" drill bit. Once holes are drilled, finish installing the remaining bolts and nuts (2.1 and 2.3)