

# Installation Tips

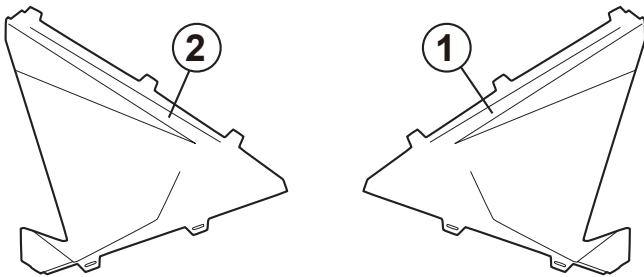
## BEFORE YOU BEGIN

1. Read these instructions and check to be sure all parts and tools are accounted for.
2. Please retain these installation instructions for future reference and parts ordering information

## IMPORTANT

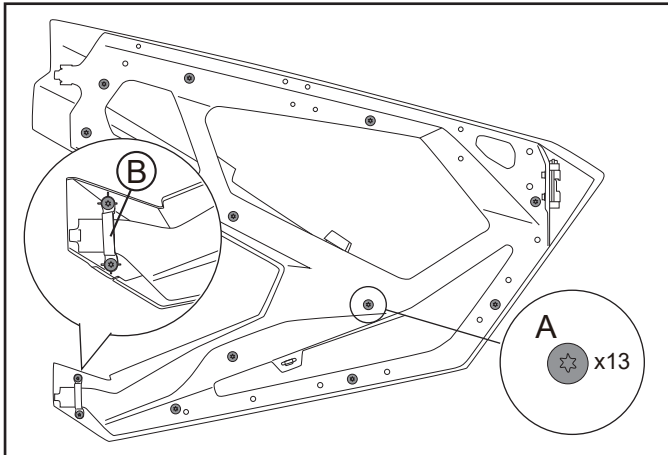
1. Please read the installation instructions carefully before you start.
2. If the vehicle is clean and free of other debris, it will be easy to install.
3. For your safety and to ensure a satisfactory installation, please complete all the installation steps in the order shown below.

## PRODUCT INFORMATION:

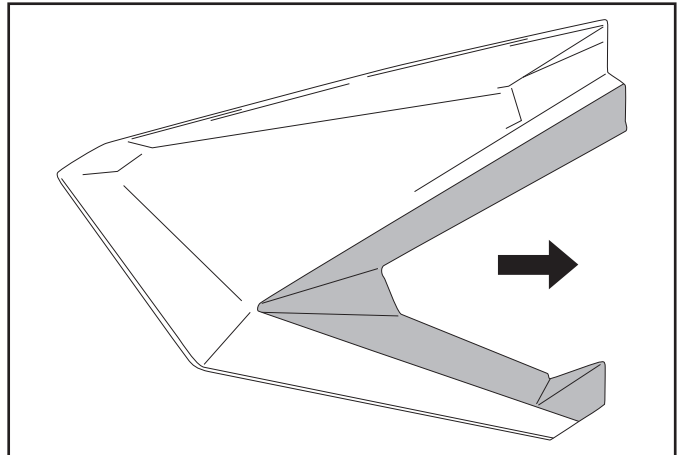


- |   |                   |    |
|---|-------------------|----|
| 1 | Panel-Door, Left  | x1 |
| 2 | Panel-Door, Right | x1 |

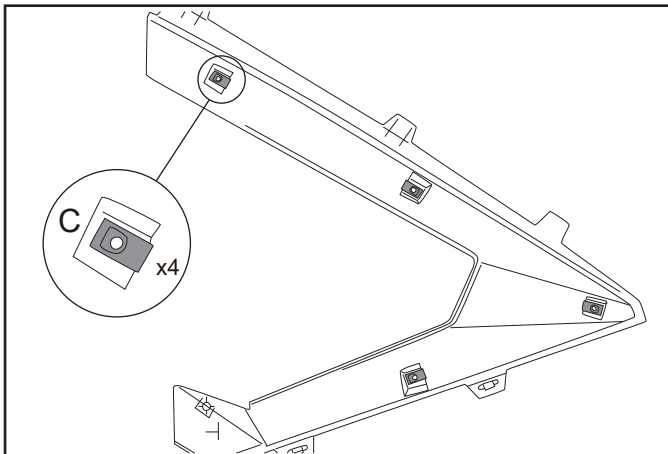
## INSTALLATION TIPS:



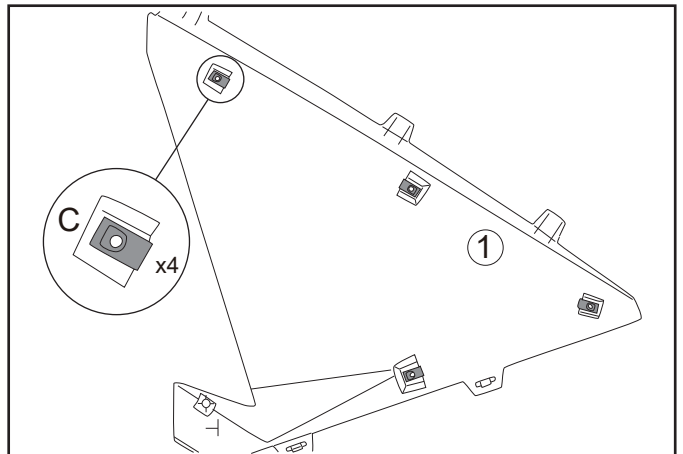
1. Remove and retain thirteen (13) fasteners [A] and trim bracket [B] from door frame.



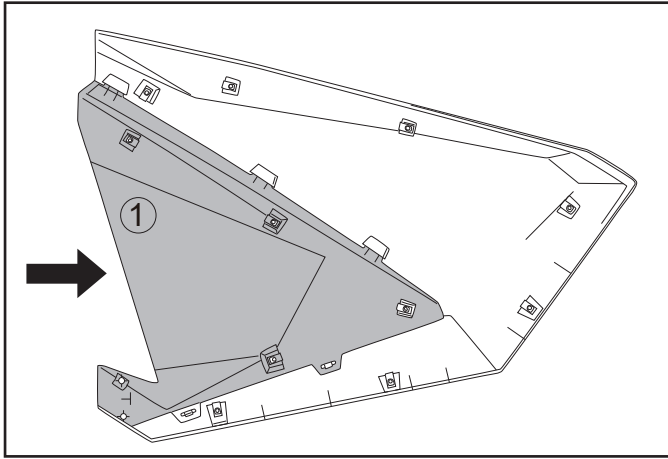
2. Remove door frame from door panel. Then discard door trim panel.



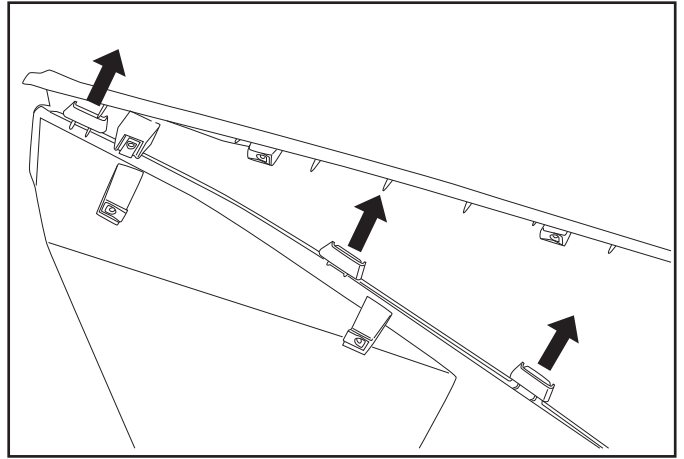
3. Remove and retain four U-nuts [C] from door trim panel.



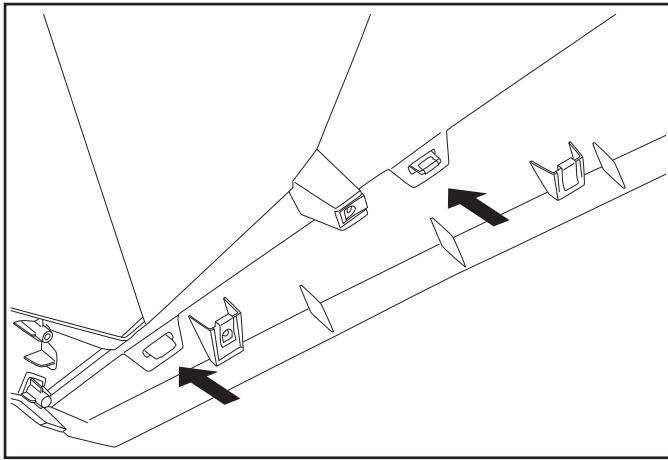
4. Install four retained U-nuts [C] to new left door panel [1].



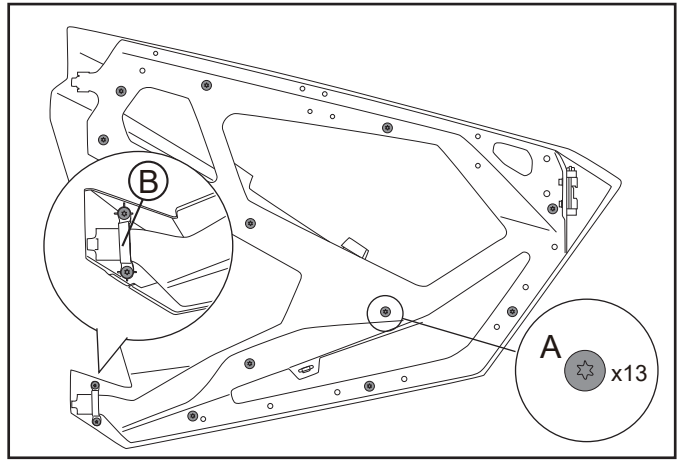
5. Align the left door panel [1] with original door panel.



6. Slide top tabs into the original door panel.



7. Slide the left door panel [1] over bottom tabs protruding from original door panel.



8. Reinstall thirteen (13) retained door panel fasteners [A] and trim bracket [B].

9. Repeat steps 1-8 to install the other door panel