

Copyright © 2019 by Big Bike Parts, Inc. No part of this instruction sheet may be reproduced without the written permission of Big Bike Parts, Inc.

PART NO. 52-946

SADDLEBAG SIDE ACCENT LIGHT SET

FITMENT:

HONDA GOLDWING/GOLDWING TOUR 2018-NEWER

4/10/2019

TOOLS NEEDED:	PLIERS	MASKING TAPE	DRILL	WIRE CUTTER/CRIMPER	PHILLIP SCREWDRIVER
	RUBBING ALCOHOL	6MM ALLEN WRENCH	MARKER OR PEN	CLEAN LINT FREE CLOTH	3/8" DRILL BIT
	SMALL FLAT SCREWDRIVER	TAPE			

**PLEASE READ THROUGH AND UNDERSTAND THESE INSTRUCTIONS BEFORE BEGINNING.**

**ESTIMATED INSTALLATION TIME: 90 TO 120 MIN.**

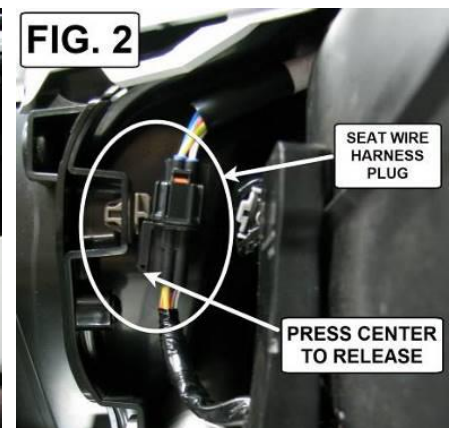
**NOTE: IT IS RECOMMENDED TO USE BBP REF# 52-942 ELECTRONIC FUSE BLOCK WHEN CONNECTING ACCESSORIES TO THE BIKE.**

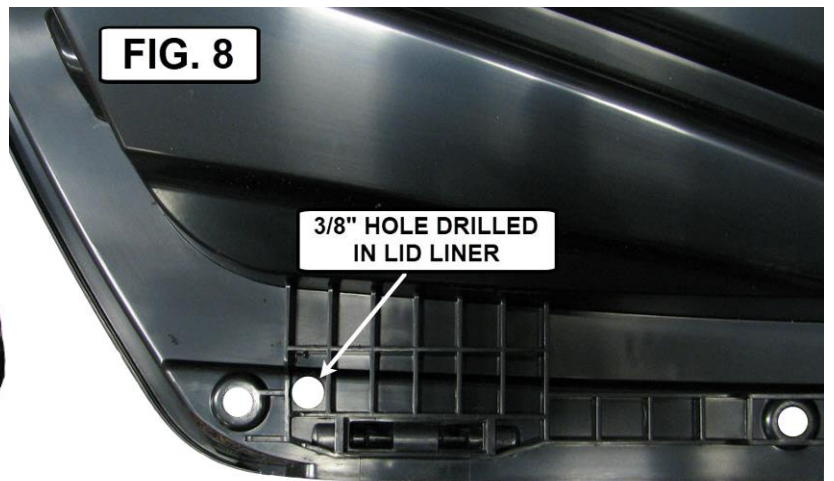
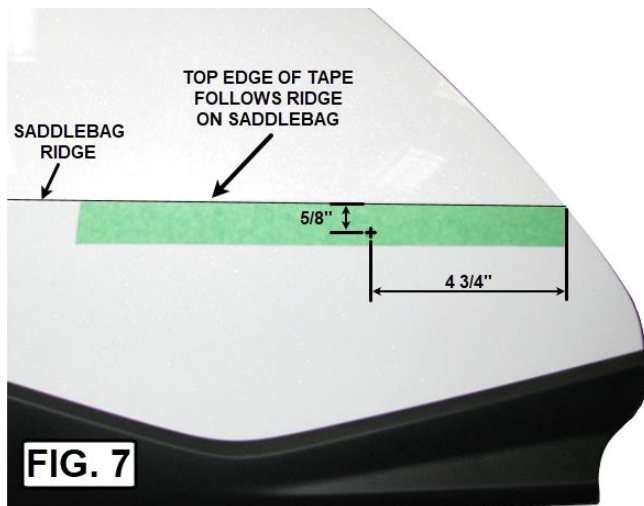
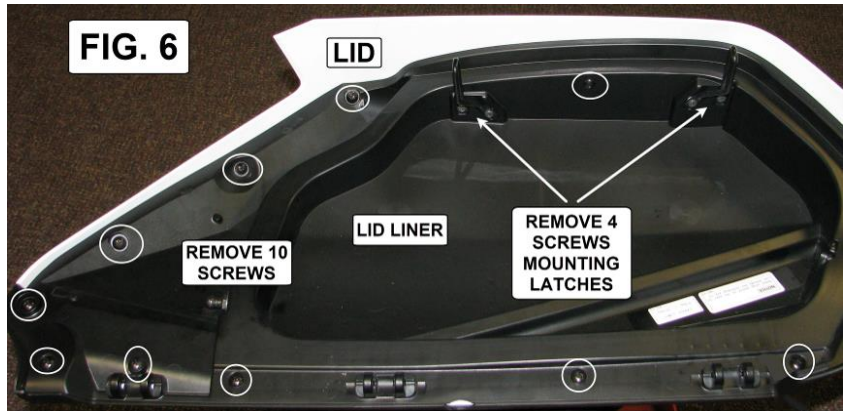
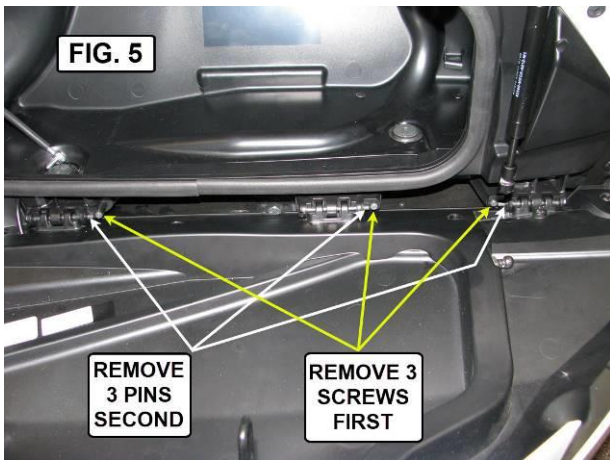
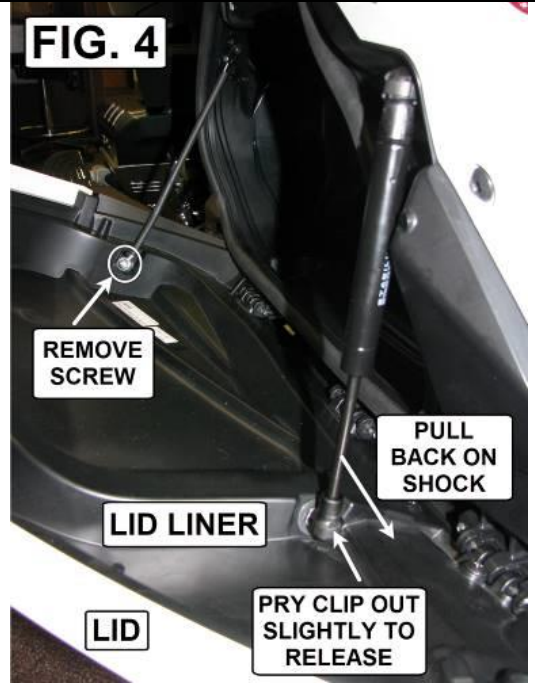
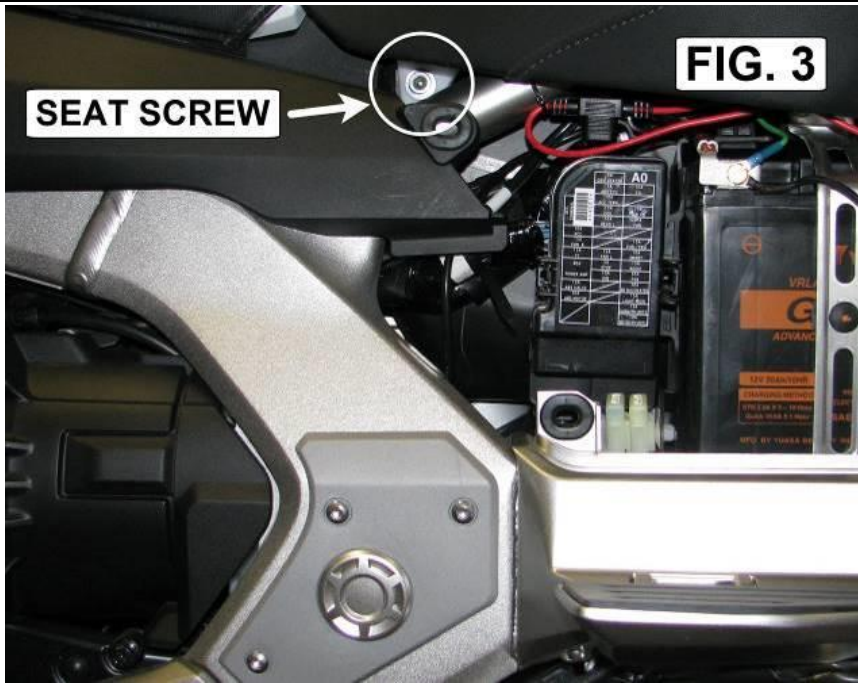
**INSTALLATION:**

1. OPEN BOTH SADDLEBAGS AND REMOVE LEFT AND RIGHT SIDE COVERS BY PULLING THEM STRAIGHT OUT FROM THE BIKE. (FIG. 1)
2. DISCONNECT THE SEAT HEATER HARNESS CONNECTOR FROM THE HOLDING CLIP (BEHIND RIGHT SIDE COVER) BY PRESSING THE LOWER CENTER TAB (FIG. 2) AND SLIDING THE CONNECTOR DOWN. PRESS THE UPPER CENTER LOCK TAB AND PULL THE CONNECTOR APART TO UNPLUG IT.
3. REMOVE THE TWO SEAT SCREWS WITH A 6MM ALLEN WRENCH (FIG. 3-LEFT SIDE SHOWN) AND REMOVE SEAT BY LIFTING THE FRONT AND PULLING THE SEAT FORWARD.
4. WITH THE LEFT SADDLEBAG LID OPEN, REMOVE THE SCREW CONNECTING THE CABLE TO THE LID (FIG. 4).
5. USING A SMALL FLAT SCREWDRIVER, PRY OUT SLIGHTLY ON THE CLIP HOLDING THE GAS SHOCK (FIG. 4) AND PULL THE SHOCK TOWARDS THE BACK OF BIKE TO DISCONNECT. (BE SURE TO SUPPORT LID)
6. REMOVE THE 3 SCREWS WITH A PHILLIPS SCREWDRIVER AND SLIDE THE 3 PINS OUT FROM THE HINGES WITH A PLIER (FIG. 5). (SCREWS MUST BE REMOVED FIRST) LID WILL NOW LIFT FREE FROM THE BIKE.
7. LAY THE LID (OUTSIDE FACING DOWN) ON A CLEAN SOFT SURFACE OR TOWEL TO PREVENT SCRATCHING.
8. USE A PHILLIPS SCREWDRIVER TO REMOVE THE 10 SCREWS (FIG. 6) AS WELL AS THE 2 SCREWS MOUNTING EACH LATCH. (FIG. 6)
9. SEPARATE THE LID LINER FROM THE LID BY PULLING APART CLOSE TO EACH SCREW HOLE TO RELEASE.
10. TURN THE SADDLEBAG LID OVER SO THE OUTSIDE FACES UP. PLACE MASKING TAPE ON THE LID AND MARK THE HOLE LOCATION. (FIG. 7)
11. DRILL A 3/8" HOLE IN THE LID CENTERED ON THE MARK FROM STEP 11. (REMOVE MASKING TAPE AFTER DRILLING)
12. ON THE LID LINER (OUTSIDE FACING UP) DRILL A 3/8" HOLE ACCORDING TO FIG. 8.
13. DETERMINE THE LEFT AND RIGHT ACCENT LIGHT (FIG. 9) AND SET THE RIGHT LIGHT ASIDE.
14. PLACE TWO SMALL PIECES OF MASKING TAPE ON THE SADDLEBAG LID (FIG. 10) WITH THE BOTTOM EDGE 1/4" BELOW THE RIDGE.
15. CLEAN THE AREA ON THE SADDLEBAG LID WHERE THE LIGHT WILL BE PLACED WITH RUBBING ALCOHOL AND LET DRY COMPLETELY.
16. FEED THE END OF THE CABLE FROM THE LEFT LIGHT THROUGH THE HOLE DRILLED IN THE SADDLEBAG LID. PEEL THE BACKER FROM THE TAPE ON THE BACK OF THE LIGHT (BE SURE NOT TO TOUCH TAPE) AND PRESS LIGHT FIRMLY IN PLACE ACCORDING TO FIG. 10.
17. SECURE THE WIRE CABLE WITH TAPE ALONG THE INSIDE OF THE SADDLEBAG LID ACCORDING TO FIG. 11.
18. FEED THE END OF THE WIRE CABLE THROUGH THE HOLE DRILLED IN THE LID LINER (FIG. 8).
19. REASSEMBLE SADDLEBAG FROM STEPS 5 THROUGH 10 IN REVERSE ORDER.
20. RUN THE WIRE CABLE ABOVE THE EXHAUST AND UP BEHIND THE FRAME UNDER THE SEAT USING THE SUPPLIED WIRE TIES AS NEEDED TO SECURE.
21. REPEAT STEPS 4 THROUGH 20 FOR THE RIGHT SIDE LIGHT.
22. USING FIG. 12 CONNECT EACH WIRE TO AN ELECTRONIC FUSE BLOCK (PART NUMBER 52-942) OR EQUIVALENT.
23. BLUE WIRE FOR RUNNING, BLACK WIRE FOR GROUND, RED WIRE FOR TURN.
24. SECURE THE REMAINING CABLE WITH REMAINING WIRE TIES, MAKING SURE CABLES DO NOT INTERFERE WITH ANY MOVING PARTS ON THE BIKE OR TOUCH THE EXHAUST.
25. TEST ALL FUNCTIONS OF THE LEFT AND RIGHT LIGHTS.
26. REPEAT STEPS 2 AND 3 IN REVERSE ORDER TO INSTALL THE SEAT.
27. REINSTALL THE LEFT AND RIGHT SIDE COVERS AND CLOSE THE SADDLEBAGS.

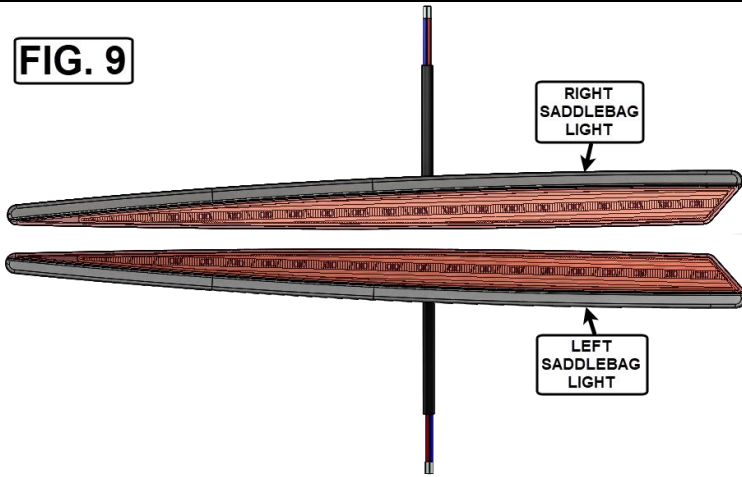
**NOTICE**

IGNORING THE CONTENTS OF THESE INSTRUCTIONS MAY AFFECT THE PRODUCT PERFORMANCE AND FUNCTIONALITY. NOT FOLLOWING THESE INSTRUCTION MAY CAUSE DAMAGE TO THE PRODUCT OR THE VEHICLE TO WHICH IT IS BEING ATTACHED.

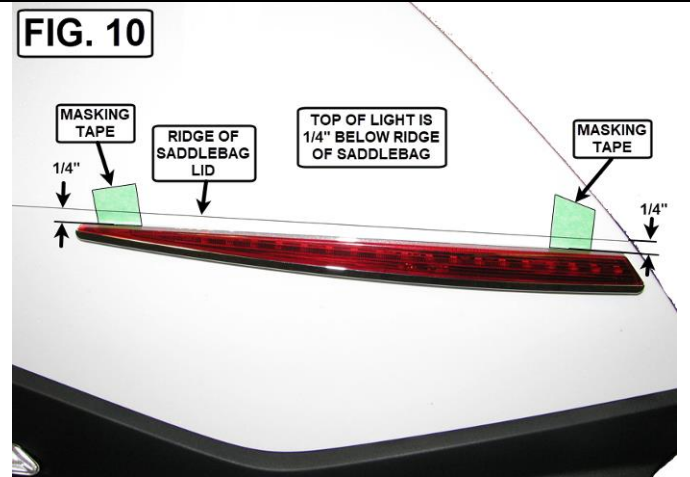




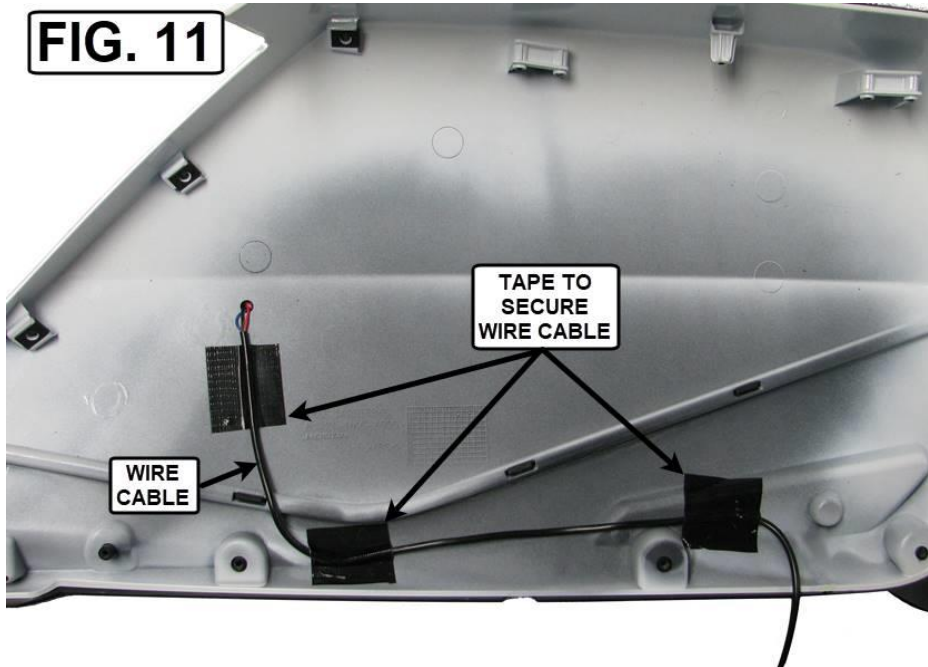
**FIG. 9**



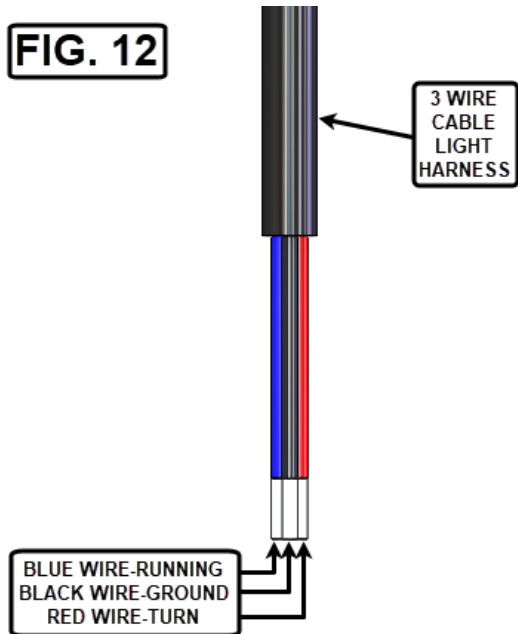
**FIG. 10**



**FIG. 11**



**FIG. 12**



**NOTICE**

BIG BIKE PARTS RECOMMENDS INSTALLING AN ISOLATION FUSE BLOCK (PART NUMBER 52-942) BEFORE CONNECTING ANY ADDED ELECTRICAL ACCESSORIES TO THE BIKE

**NOTICE**

ADDING MULTIPLE ACCESSORIES TO A CIRCUIT MAY CAUSE ISSUES WITH SOME ACCESSORIES